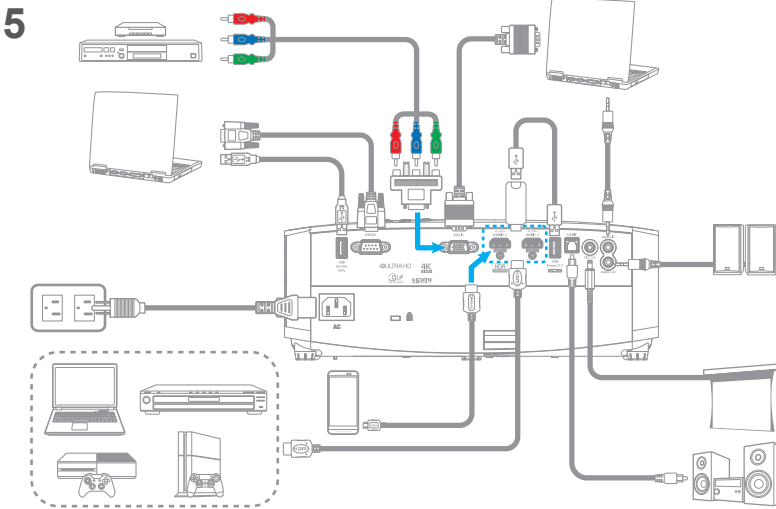
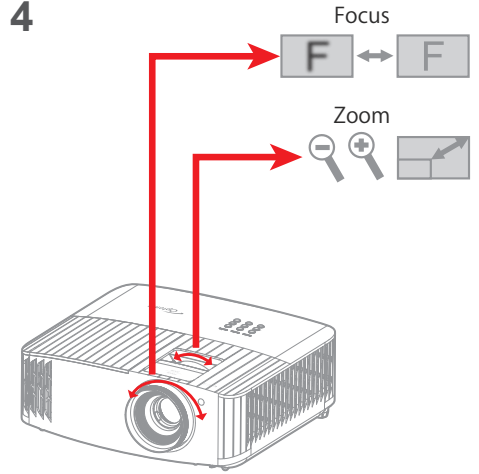
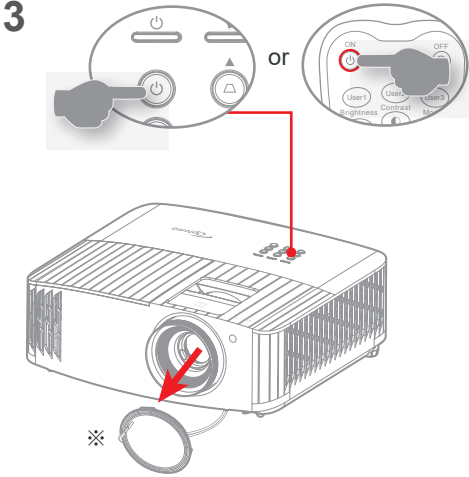
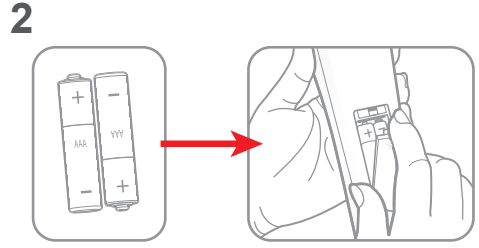
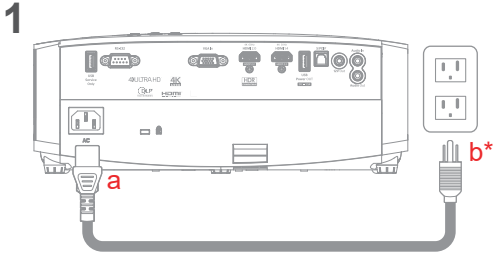




For access to the setup information, user manual, and product updates – please scan the QR Code or visit the following URL:
<https://www.optoma.com/support/download>



- Note:**
- To prolong the effective life of the lamp, make sure to keep the lamp on for at least 60 seconds and avoid performing force shutdown.
 - The remote control may vary depending on the region and model. ※
 - For warranty information, please visit our website: www.optoma.com
 - For detailed instructions, please scan the QR code or visit the URL: <https://www.optoma.com/support/download>

